


ONKYO SERVICE MANUAL

STEREO CASSETTE TAPE DECK MODEL TA-RW11

Black and silver models

UDN, UDC, UD	120V AC, 60Hz
UG	220V AC, 50Hz
UW	120 or 220V AC, 50/60Hz
UQA, UQB	240V AC, 50Hz

SAFETY-RELATED COMPONENT WARNING!!

COMPONENTS IDENTIFIED BY MARK  ON THE SCHEMATIC DIAGRAM AND IN THE PARTS LIST ARE CRITICAL FOR RISK OF FIRE AND ELECTRIC SHOCK. REPLACE THESE COMPONENTS WITH ONKYO PARTS WHOSE PARTS NUMBERS APPEAR AS SHOWN IN THIS MANUAL.

MAKE LEAKAGE-CURRENT OR RESISTANCE MEASUREMENTS TO DETERMINE THAT EXPOSED PARTS ARE ACCEPTABLY INSULATED FROM THE SUPPLY CIRCUIT BEFORE RETURNING THE APPLIANCE TO THE CUSTOMER.

SPECIFICATIONS

Track System:	4-track, 2-channel stereo
Recording System:	AC bias
Erasing System:	AC erase
Tape Speed:	4.8 cm/sec (1-7/8 i.p.s.)
Wow and Flutter:	0.05% (WRMS)
Frequency Response:	20 – 15,000Hz (normal) (30 – 14,000Hz ± 3dB) 20 – 16,000Hz (High) (30 – 15,000Hz ± 3dB) 20 – 17,000Hz (Metal) (30 – 16,000Hz ± 3dB)
S/N Ratio:	Dolby NR out: 60dB (metal position tape) A noise reduction of 10dB above 5kHz and 5dB at 1kHz is possible with Dolby B. A noise reduction of 20dB at 5kHz is possible with Dolby C.
Input Jacks:	Line IN: 2 Minimum input level: 50mV Input impedance: 50 kohms Microphone Jack: 1 Minimum input level: 1.0mV/600 ohms Input impedance: 5 kohms
Outputs:	Line OUT: 2 Std output level: 500mV (0dB) Opt load impedance: over 50 kohms Headphone Jack: Opt load impedance: 8 to 200 ohms
Motors:	DC servo motor: 2 DC motor: 4

ONKYO[®]
AUDIO COMPONENTS

Heads:	Hard Permalloy: 2 (rec/pb) Ferrite erase head: 1
Semiconductors:	TR: 94 Diodes: 50 IC: 15 LED: 17
Power Supply:	AC 120V/60Hz
Power Consumption:	35 watts
Dimensions:	418(W) x 115(H) x 336(D) mm (16-1/2" x 4-1/8" x 13-1/4")
Weight:	6.9 kg. (15.2 lbs.)

Specifications and external appearance are subject to change without notice because of product improvements.

FEATURES

Two Auto-Reverse Tape Compartments

Both tape compartment 1 (playback only) and 2 (recording and playback) use an auto-reverse mechanism. That means you can make recordings using both sides of a cassette with no worries, even when dubbing cassettes from tape compartment 1 to compartment 2. With a C-60 cassette, for example, it's possible to record programs up to one hour long with hands-off simplicity.

Computer-Controlled 6-Motor Configuration

Each tape compartment is equipped with 3 motors (including motors to move each of the head assemblies). Computer control gives the deck full logic convenience so there's no need to press the stop button when switching tape transport modes.

Dolby B and C Noise Reduction

Along with standard Dolby B NR, this deck also has the even more effective Dolby C NR system. Dolby C NR reduces tape background noise by 20dB at 5kHz, about 3 times more than Dolby B NR. In addition to its wide band noise reduction, Dolby C NR uses a sliding band technique that varies the band width of noise reduction according to the input level, thereby avoiding noise "pumping." Dolby C NR also has an anti-saturation effect to reduce the chance of tape saturation in the high range. All these features combine to eliminate the adverse effects on tape sound that other noise reduction systems can cause.

12-Hour Auto-Reverse Relay Playback

In the auto-reverse relay mode, auto-reverse playback of the cassette in tape compartment 2 begins immediately after both sides of the cassette in tape compartment 1 have been played back. This sequence can be repeated up to four times for extended uninterrupted playback. With a C-90 cassette, for example, this mode can provide up to 12 hours of nonstop music (180 minutes x 4 times).

One-Touch Synchronized Dubbing Start-Up

Dubbing cassettes on this deck is easy. Simply put tape compartment 2 in the dubbing/pause standby mode and press the play button of tape compartment 2. Tape compartment 1 will automatically switch to the playback mode the instant recording of cassette 2 begins.

Auto Music Control System (AMCS) and AMCS Standby

Tape compartment 1 is equipped with the AMCS function which automatically plays the first 10 seconds of every song on a cassette in either the forward or reverse direction depending on the head direction. To stop AMCS and resume normal playback from that point, just press the play button. When the AMCS standby function is used instead, tape is wound to the beginning of a song and stops. This is very useful when copying cassettes.

Many Other Useful Features

In addition to the above-mentioned features, this deck also has a mic mixing capability, an auto space rec mute button, fully automatic tape selection and easy-to-read peak level meters.

SERVICE PROCEDURES

1. Insulation resistance measurement

Connect the insulating-resistance tester between the plug of power supply cord and chassis.

Specifications; D model	500 V 3.3+0.33 M
G/W models	500 V more than 10 M

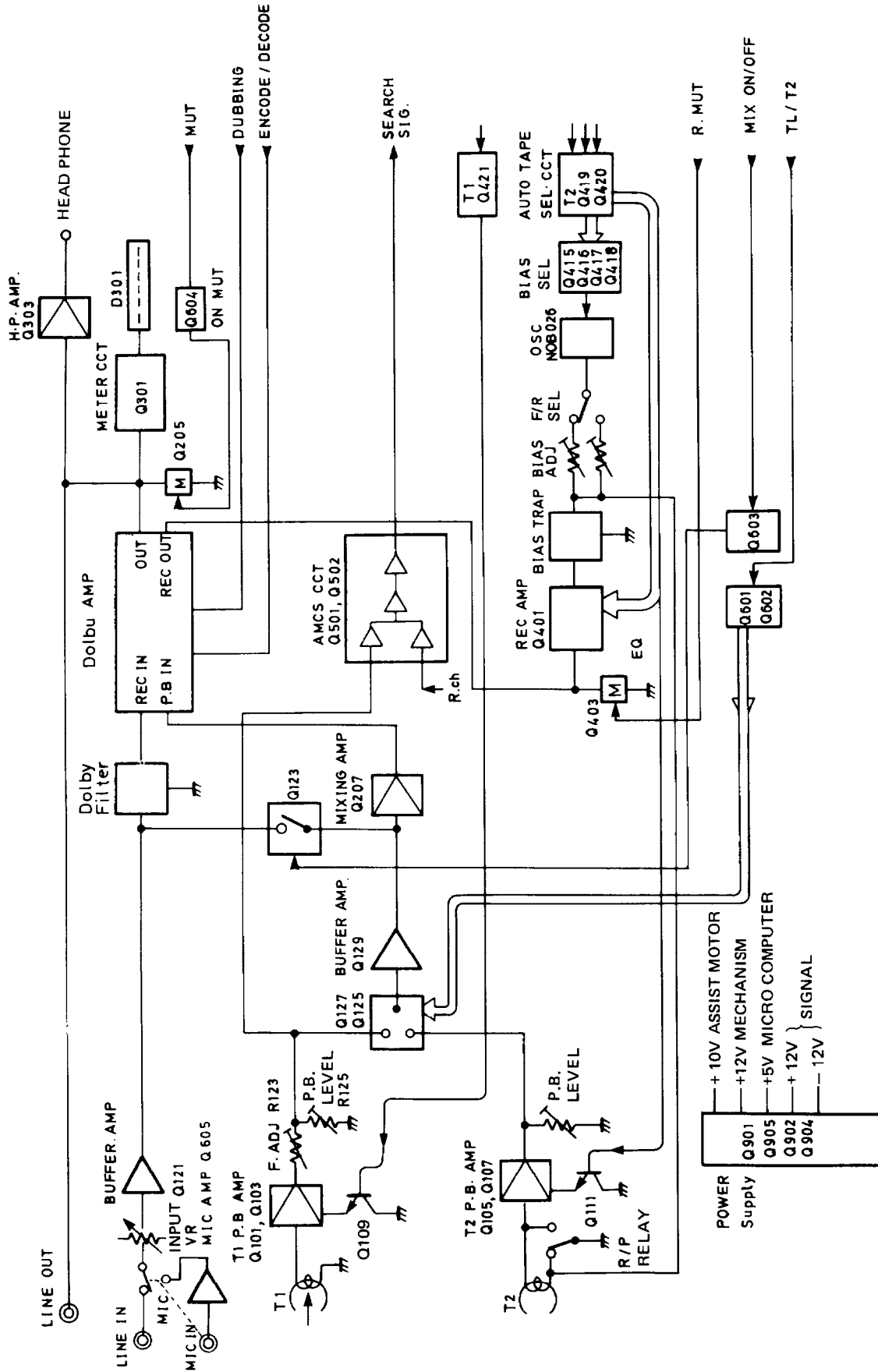
2. Replacing the lamps

This unit used the lamps listed below.

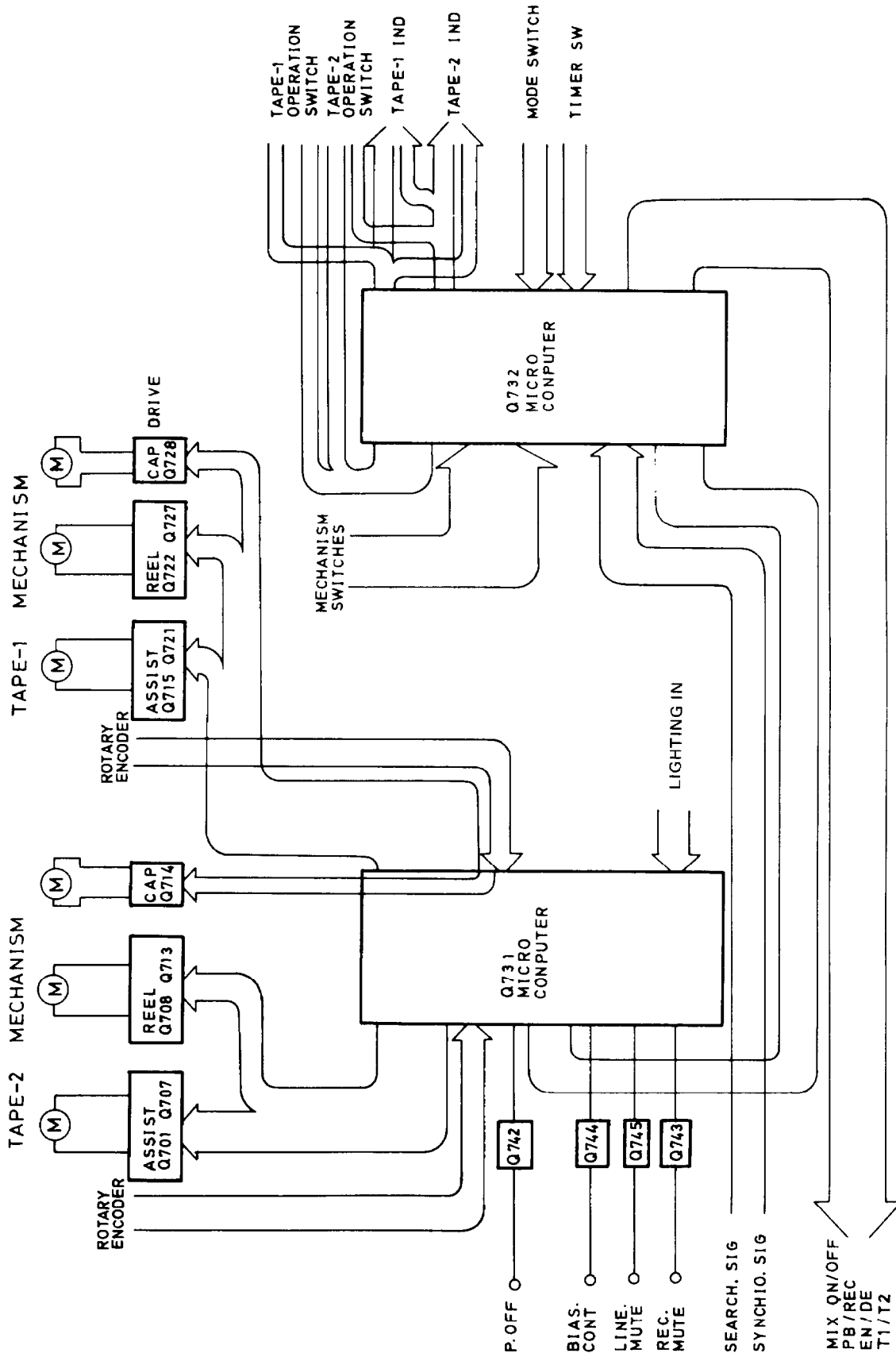
Circuit No.	Parts No.	Description
Mechanism	24606173	50mA, 14V. Lamp 145a

CAUTION: Before replacing the lamps, be sure to unplug the power supply cable.

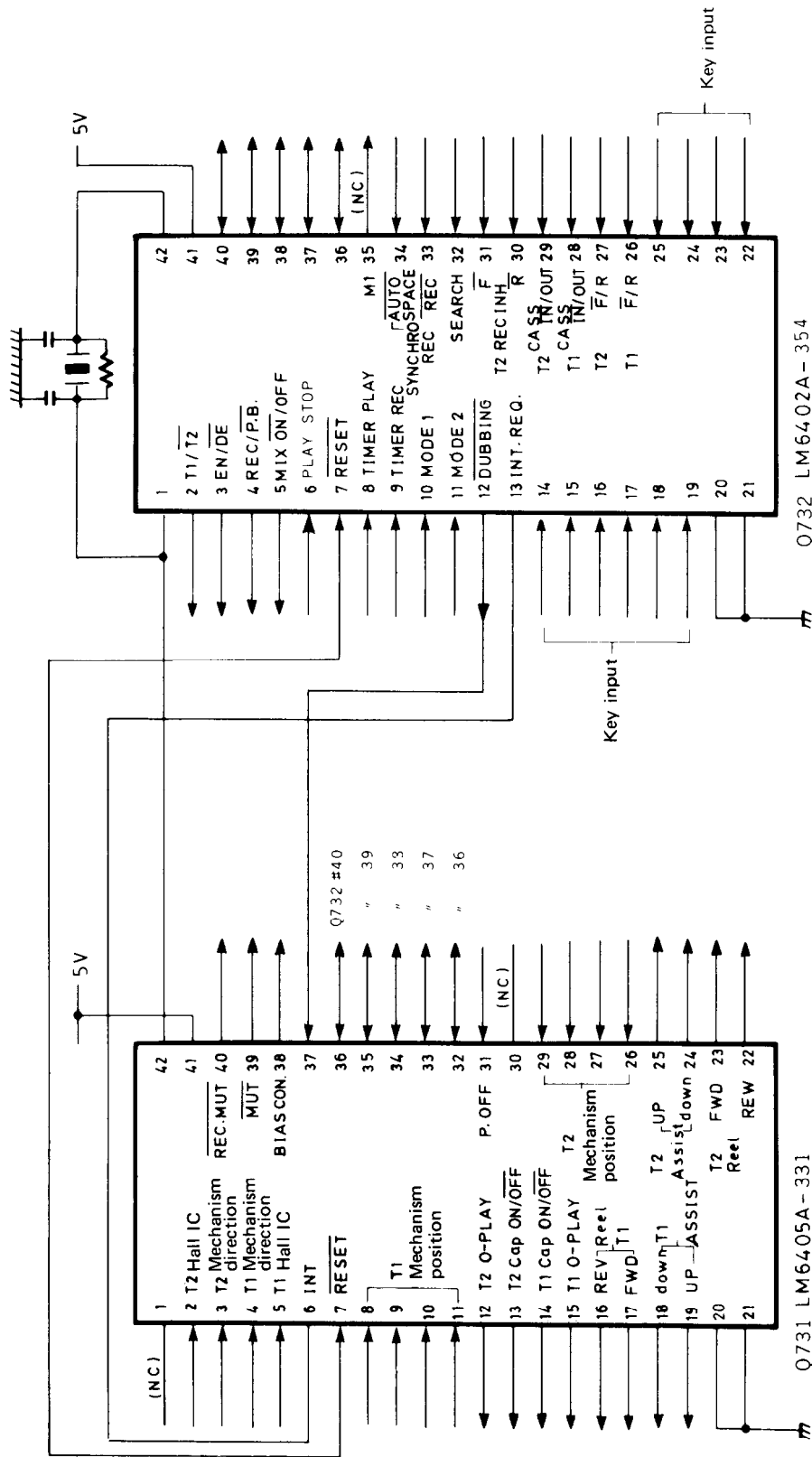
BLOCK DIAGRAM (AUDIO SECTION)



BLOCK DIAGRAM (CONTROL SECTION)



MICRO COMPUTER



REVERSE CORD

Pin No	Symbol	Level
10	↔	H
11	↻	H

TIMER CORD

Pin No	TIMER REC	OFF	TIMER PLAY
8	H	H	L
9	L	H	H

LM6402A-354

LM6402A-354

CIRCUIT OPERATIONS

Basic Operation (Tape-1 Forward play)

1. When the PLAY button is pressed, S701 is turned on and pin 25 of Q732 is switched to the low level by the signal from pin 17.
2. A signal is sent to Q731 by data bus 36 - 40 of Q732 and the output port (pin 19) of Q731 goes to the high level to turn on Q718, then Q720 and Q717 in sequence. The assist motor then begins to rotate in the direction in which the head base is raised.
3. When the head base rises to the specified location, the cam shown in the dismantled mechanism diagram no. 57 causes a 4-bit code (0101) made by leaf switches S1 - S4 to be sent to input ports 8 - 11 of microprocessor Q731. This stops the assist motor at that point. (See page 6.)
4. Output port 15 of Q731 switches to high to turn on Q722 and then Q723 to control the reel motor drive voltage.
5. Output port 17 of Q731 switches to high to turn on Q726 and then Q725 to cause the reel motor to rotate in the forward direction.
6. At the same time, output port 14 of Q731 switches to high to turn on Q728 to cause the capstan motor to rotate.

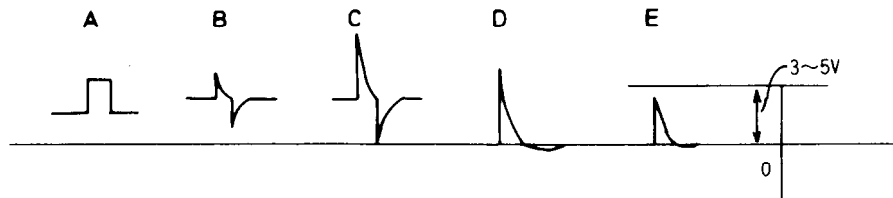
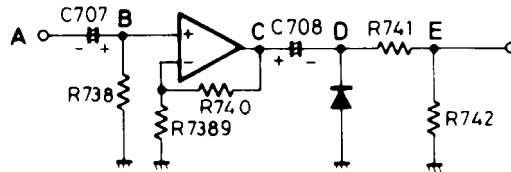
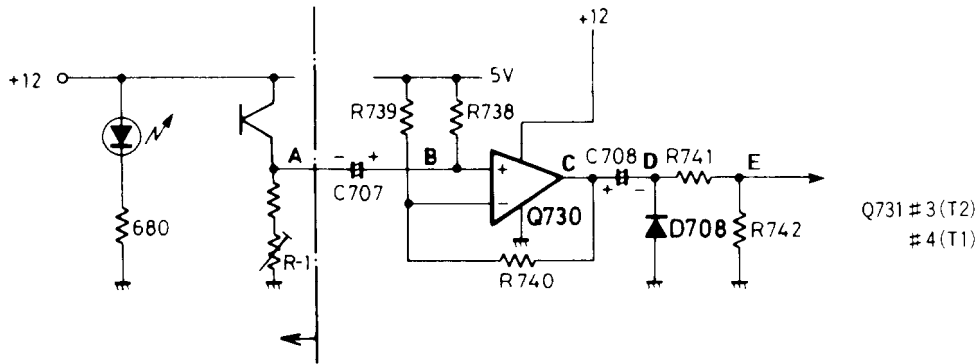
Auto-Reverse Operation

A photo sensor is used to detect the change in optical permeability between the magnetic tape and leader tape. The difference is then amplified and sent to a microcomputer. The difference in optical permeability is differentiated by C707 and R738, amplified by Q730, R739 and R740 and altered to the TTL level by R741 and R742. After this, the pulse is input at #3 (T2) and #4 (T1) of microcomputer Q731.

Mechanism side Microcomputer optical input

The reverse operation sensitivity differs greatly depending on the kind of leader tape. If auto-reverse does not function properly (direction is reversed during magnetic tape section or is not reversed when leader tape is reached), adjust the PC panel semi-fixed volume (R-1), located behind the mechanism.

Start tape transport over the magnetic section of a TDK AD-120 cassette in the forward direction and adjust R-1 so that the voltages between C-707 (T2), C-705 (T1) and ground are 3 - 4 volts.



MECHANISM OPERATIONS

The rotations of the assist motor are transmitted via the worm gear simultaneously to the cam that raises and lowers the head base, the brake cam and the head reversal cam. Figures 3, 2 and 1 show the configuration of each cam. The sections in the diagrams in which the name of an operation is written within the angular range of that operation indicate the effective operating range of the cam for that particular operation. The — mark indicates that operation is prohibited since the positions of the head base and brake panel are not fixed. The rotary encoder shown in Fig. 4 detects each angular operation range and the 4-bit data, a, b, c and d, are obtained from this encoder. The microcomputer uses these data to check the position of the mechanism and drive the assist motor to the correct position. The relationship between rotary encoder output and the mechanism position is shown in Fig. 5.

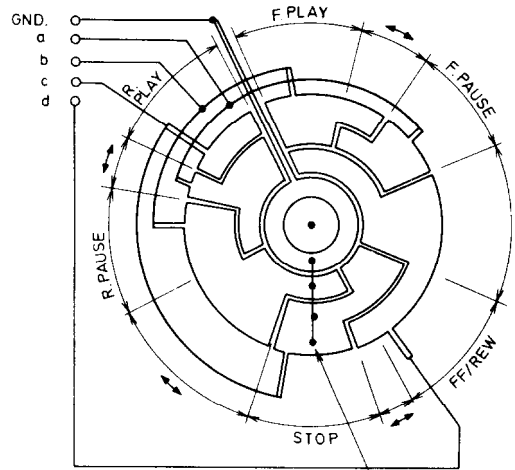


Fig. 4 Rotary encoder

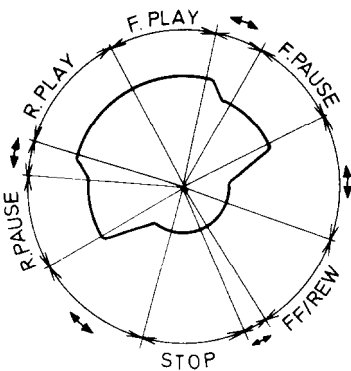


Fig. 1 Head base up-down cam

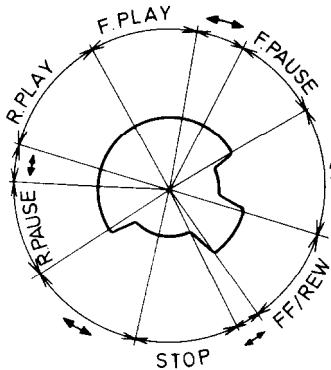


Fig. 2 Brake cam

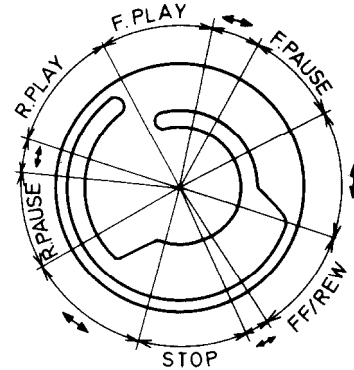


Fig. 3 Head reversal cam

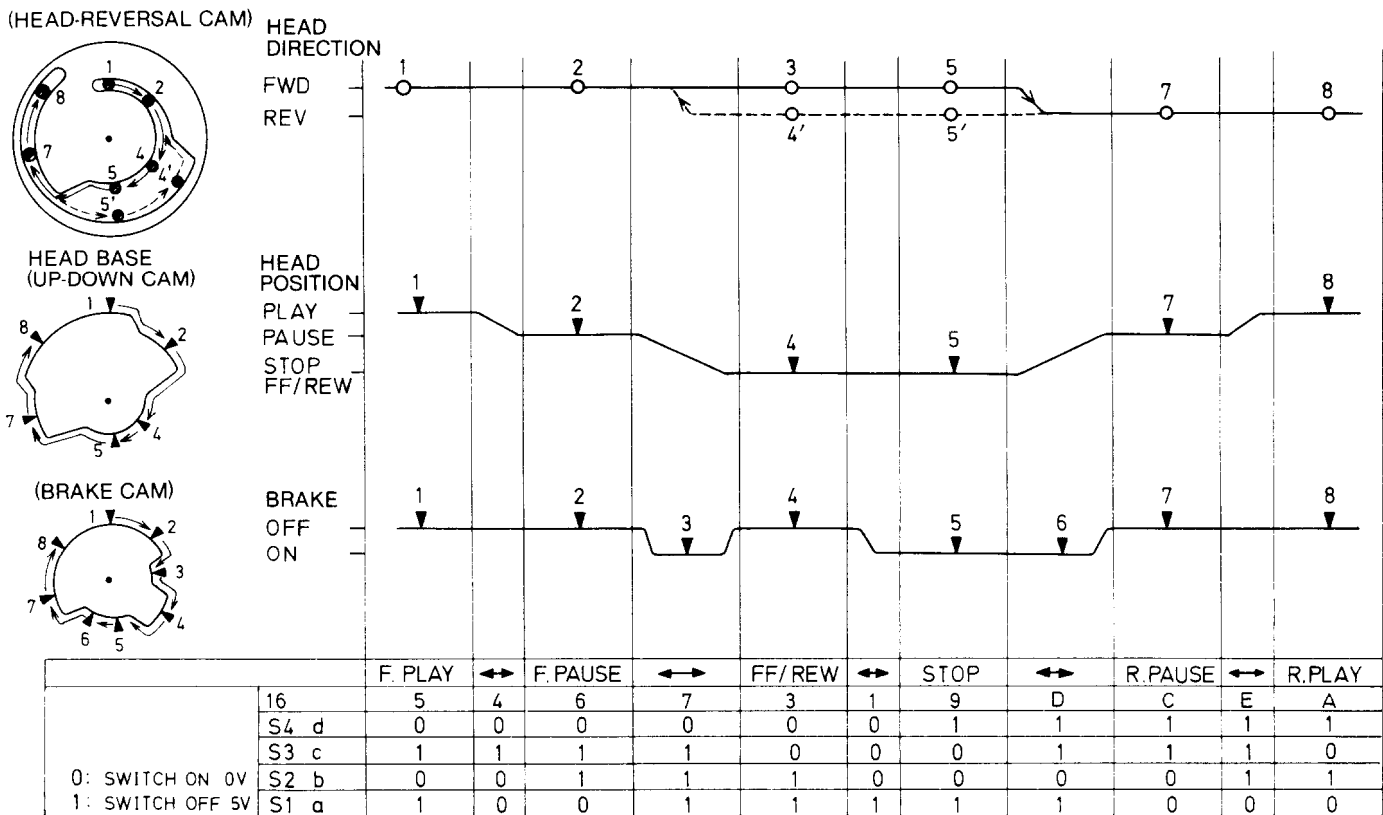
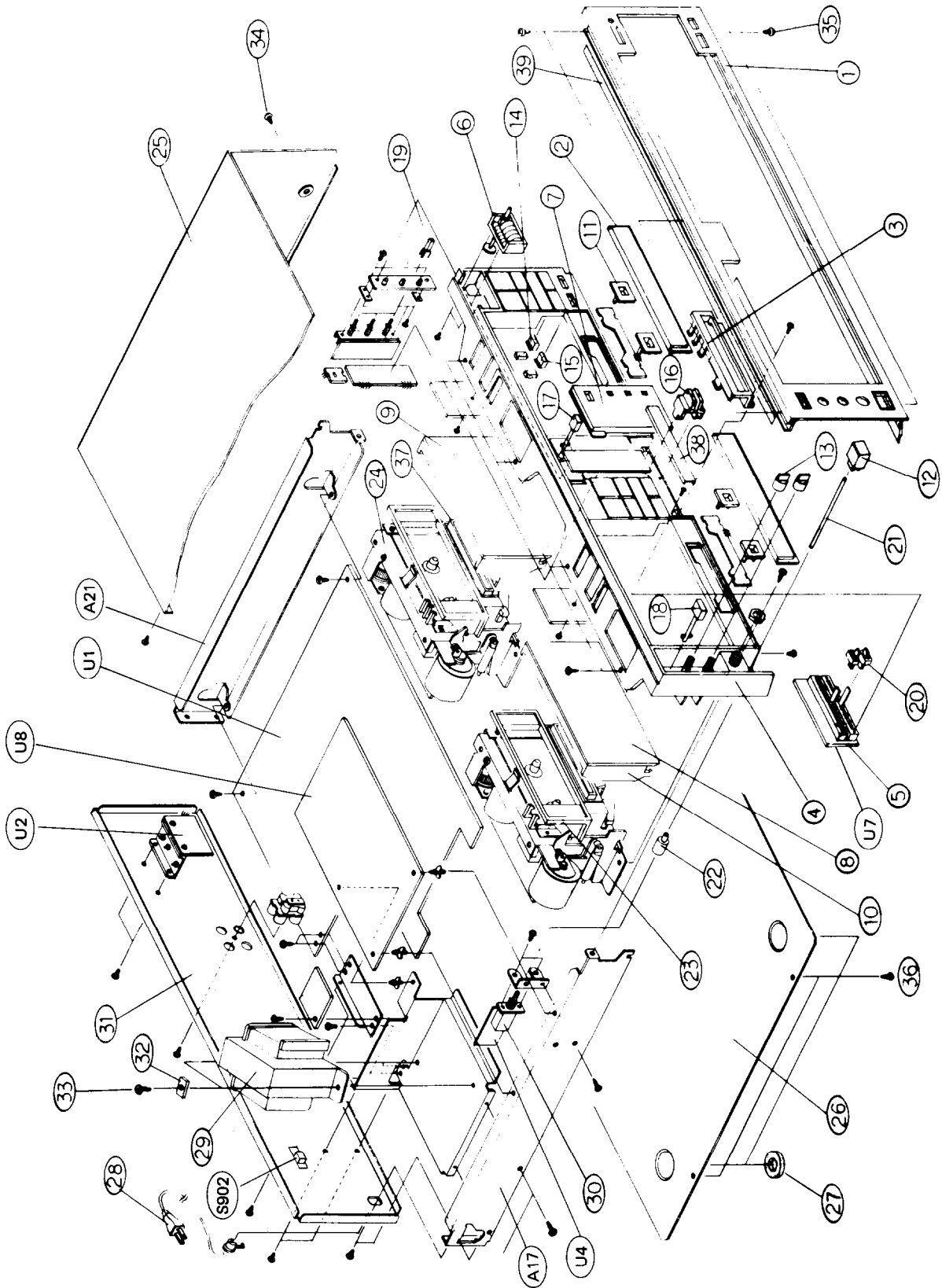


Fig. 5

CHASSIS-EXPLODED VIEW



PARTS LIST

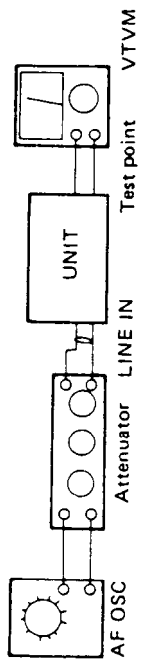
REF. NO.	PARTS NO.	DESCRIPTION	REF. NO.	PARTS NO.	DESCRIPTION		
	A2	834426068	2.6TTS+6B (BC), Tapping screw	19	A805 28321292	Knob, mode	
	A3	833430080	3TTP+8P (BC), Tapping screw	14	A806 28321293-1	Knob, push (S)	
	A4	838426088	2.6TTB+8B (BC), Tapping screw	14	28321395	Knob, push (B)	
	A5	27190234	Holder, LED	15	A807 28321294A	Knob, push	
	A6	28170014	Bushing		A808 28140490	Cushion	
	A7	27262155	Plate A	16	A809 28321295B	Knob, volume (S)	
	A8	82142004	2P+4I (BC), Pan head screw	16	28321396A	Knob, volume (B)	
20	A9	27273027A	Joint	18	A818 28321286-1	Knob, eject (S)	
11	A11	27192039	Holder, LED	18	28321287-1	Knob, eject (B)	
6	A13	24601147	Counter		C722, C724 352942206	22 μ F, 16V, Non-polar elect. capacitor	
	A14	834426068	2.6TTS+6B (BC), Tapping screw				
	A16	28133087A	Back plate	28	Δ P1 253099B	AS-UC-3, Power supply cord (D)	
	A17	27115150	Side bracket L		Δ 253083-1	AS-CEE, Power supply cord (G)	
	A18	834430068	3TTS+6B (BC), Tapping screw		Δ 253118	AS-SAA, Power supply cord (Q)	
	A21	27115149C	Side bracket R		P2 260208	Binder	
	A22	834430068	3TTS+6B (BC), Tapping screw		P3 27300352	Terminal	
	A23	831430088	3TTW+8B (BC), Tapping screw		Δ S902 25065123	NSS-1258P, Voltage selector switch (W)	
21	A25	27260059	Shaft, switch				
	A29	27130343C	Bracket, power transformer	29	Δ T901 230796	NPT-823D, Power transformer (D)	
	A30	834430068	3TTS+6B (BC), Tapping screw		Δ 230797	NPT-823G, Power transformer (G)	
32	A31	870065	Special washer		Δ 230798	NPT-823DG, Power transformer (W)	
33	A32	830440089	4TTC+8C (BC), Tapping screw		Δ 253118	NPT-823Q, Power transformer (Q)	
	A33	27140821A	Bracket, pc board	30	Δ C901 3500065A	0.01 μ AC240V Capacitor	
	A34	831430088	3TTW+8B (BC), Tapping screw	30	Δ S901 25035375	NPS-111-L339P Power switch	
31	A36	27120582	Back panel (D)		U1 11188522D	NAAF-1822d, Rec./pb. amplifier pc board ass'y	
		27120583	Back panel (G)				
		27120584	Back panel (W)		U2 11000523	NAPS-1823, Power supply pc board ass'y	
		27120617	Back panel (Q)		U3 11000524	NASW-1824, Dolby switch circuit pc board ass'y	
	A37	834430108	3TTS+10B (BC), Tapping screw		U4 11188525B	NASW-1825b, Power switch pc board ass'y	
	A38	834430068	3TTS+6B (BC), Tapping screw		U5 11188526A	NAHP-1826a, Headphone terminal pc board ass'y (S)	
	A40	270025	SR-3P-4, Strainrelief (D)		U6 11000527	NAHP-1826b, Headphone terminal pc board ass'y (B)	
		270280	SR-4K-4, Strainrelief G/R100/W		U7 11002528A	NADIS-1827, Meter LED pc board ass'y	
	A42	27150169	Shielded plate		U8 11188530D	NAVR-1828a, Input volume pc board ass'y	
	A43	27190009	Holder		U9 11000531	NACOC-1830d, Control circuit pc board ass'y	
4	A45	28321407-1A	Knob ass'y (Included the front bracket) (S)		U10 11000532	NASW-1831, Mode switch pc board ass'y	
4		28321408-1	Knob ass'y (Included the front bracket) (B)		U11 11000533	NADIS-1832, Mode indication pc board ass'y	
25	A301	28184208	Top cover (S)		U12 11000534	NASW-1833, Timer switch pc board ass'y	
25		28184225	Top cover (B)		U13 11000535	NADIS-1834, Direction indicator pc board ass'y for T-1	
34	A302	834430068	3TTS+6B (BC), Tapping screw		U14 11000536	NADIS-1835, Direction indicator pc board ass'y for T-2	
1	A501	11188121	Front panel ass'y (S)		U15 11000539	NADIS-1836, Dubbing indicator pc board ass'y	
	A502	27267299	Guide, eject		U16 11000540	NADIS-1839, Tact switch pc board ass'y for T-1	
	A503	27267215	Guide, power		U17 11000542	NADIS-1840, Tact switch pc board ass'y for T-2	
1		11208121	Front panel ass'y (B)		U18 11000542A	NADIS-1842, High speed indicator pc board ass'y	
35	A505	833430080	3TTP+8P (BC), Tapping screw		U19 11188552B	NADIS-1842a, Indicator pc board ass'y	
39	A507	28140546	10 x 390 x 0.5, Cushion		U19 11188552C	NAMC-1952b, Mic. terminal pc board ass'y (S)	
2	A508	28191216A	Clear plate D (S)			NAMC-1952c, Mic terminal pc board ass'y (B)	
2		28191226A	Clear plate D (B)		23	Z1 244052C	NDM-47, Deck mechanism ass'y for T-1
38	A509	27262237-1	Plate, volume (S)		24	Z2 244054C	NDM-49, Deck mechanism ass'y for T-2
38		27262256-1	Plate, volume (B)				
3	A510	27267300-1	Guide, volume (S)				
3		27267320-1	Guide, volume (B)				
35	A511	833430080	3TTP+8P (BC), Tapping screw				
7	A514	28191217	Clear plate (S)				
7		28191227	Clear plate (B)				
10	A515	28400155	Cassette lid				
8	A516	28400156	Window, tape 1 (S)				
8		28400179	Window, tape 1 (B)				
9	A517	28400157	Window, tape 2 (S)				
9		28400180	Window, tape 2 (B)				
26	A631	27170167A	Bottom board				
27	A632	27175011C	Leg				
35	A633	833430080	3TTP+8P (BC), Tapping screw				
34	A634	834430068	3TTS+6B (BC), Tapping screw				
18	A801	28321286A	Knob, eject (S)				
18		28321287A	Knob, eject (B)				
12	A802	28320852	Knob, power (S)				
12		28321160	Knob, power (B)				
13	A803	28320797	Knob, selector (S)				
13		28321130	Knob, selector (B)				

Note: The components identified by mark Δ are critical for risk of fire and electric shock. Replace only with parts number specified.

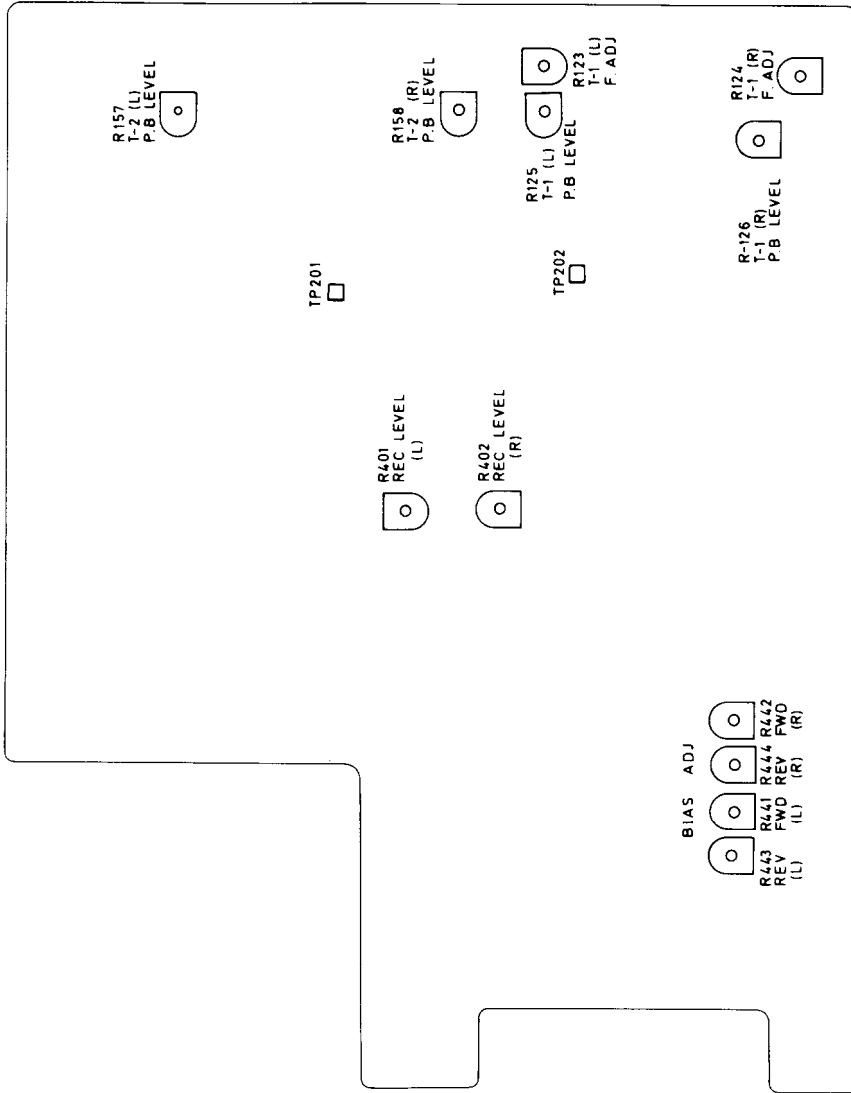
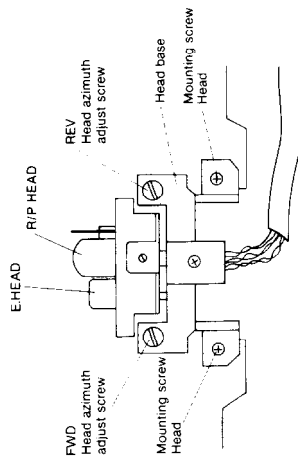
Note: D : Only 120V model Q : Only 240V model
G : Only 220V model S : Only silver model
W : Only 120/220V model B : Only black model

ADJUSTMENT PROCEDURES

Item	Connection of instrument	LINE input	Test tape	Mode	Output indicator	Adjustment point	Adjust for	Remarks
1	AC voltmeter to test points TP-201 and TP-202		MTT-150	TAPE-1 playback	AC voltmeter	R125(L ch.) R126(R ch.)	580mV	
				TAPE-2 playback	AC voltmeter	R157(L ch.) R158(R ch.)	580mV	
2	AC voltmeter to test points TP-201 and TP-202		VTT-658	TAPE-2 playback	AC voltmeter	Head azimuth screw of TAPE-2	Maximum output	Proceed to both sides. If the peak output reads of the right and left channels are different, adjust so that the output of left(right) channel becomes maximum at the forward (reverse) mode. Before adjust the head azimuth of TAPE-1, set R123 and R124 to the center position.
				TAPE-1 playback	AC voltmeter	Head azimuth screw of TAPE-1	Maximum output	
3	Frequency counter to test points TP-201 and TP202		315Hz 10kHz	TAPE-1 playback	AC voltmeter	R123 (L ch) R124 (R ch)	Same level	3,015Hz to 3,025Hz
				TAPE-2 playback	Frequency counter	Semifixed resistor on the motor		
4	fig. 1	1kHz, -23dB & 12kHz, -23dB -23dB(Output of LINE OUT is 35mV.)	NEW UD-90 Blank tape	TAPE-2 recording		R441(FWD Lch.) R442(FWD Rch.)		2,995Hz to 3,005Hz
				TAPE-2 playback	AC voltmeter	R443(REV Lch.) R444(REV Rch.)	Playback outputs of 1kHz and 12kHz become same level.	
5	fig. 1	1kHz, -0dB(Output is 350mV.)	NEW UD-90 Blank tape	TAPE-2 recording	AC voltmeter	R401(Lch.) R402(Rch.)	350mV	Set the input volume to the maximum position.
				TAPE-2 playback	AC voltmeter		350mV	
6			TW-2111	TAPE-1 and TAPE-2 playback	TW-2111	R727(TAPE-1) R711(TAPE-2)	45grcm to 55grcm	Proceed to adjustment at the forward mode.



(fig. 1)



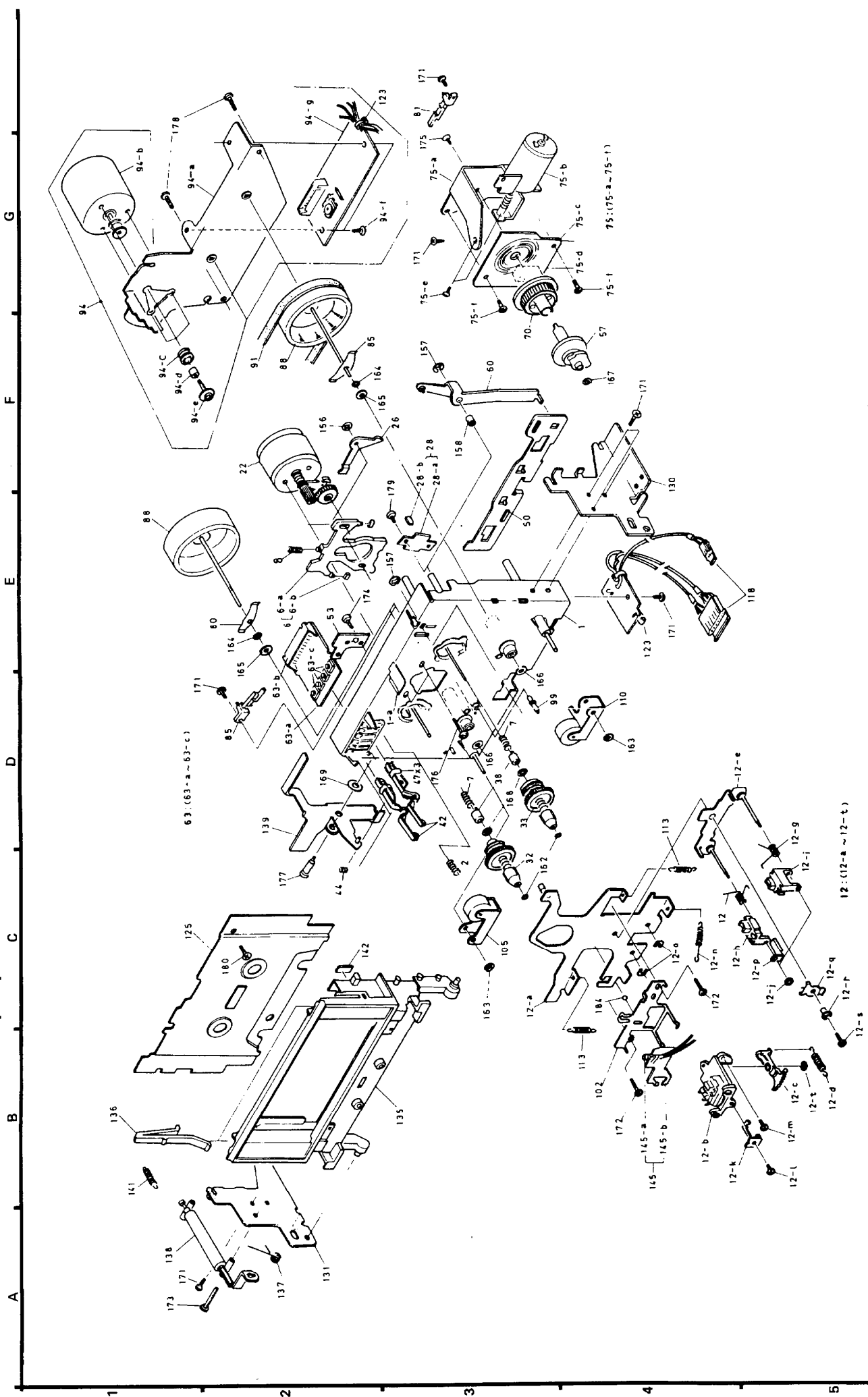
NAAF-1822d

- PLAY TORQUE 30 – 65g/cm
- FF. REW TORQUE 70 – 160g/cm
- BACK TENSION 3 – 7g/cm

TAPE MECHANISM-PARTS LIST (NDM-47 T-1)

REF. NO.	PARTS NO.	DESCRIPTION	REF. NO.	PARTS NO.	DESCRIPTION
1	24610983	Chassis	88	24602250	Flywheel
1a	24605468	Cassette holding spring	91	24602222	Flat belt
2	24605481	Tension spring	94a	24610996	Motor bracket
6	24610984	Brake plate ass'y	94b	24601139	Motor ass'y
6a	24610961	Brake plate	94c	24610451	Cushion
6b	24610999	Brake rubber	94d	24610807	Spacer
7	24605466	Tension spring, back tension	94e	801301	Pan head screw
8	24605472	Tension spring, brake	94f	8233125059	M2. 5 x 5, Pan head screw
12	24611000	Head base ass'y	94g	24606189	pc board ass'y
12a	24610987	Head base	99	24610936	Guide
12b	24600042	Head ass'y	102	24610989	Holding plate, head
12c	24610947	Wheel	105	2462223A	Pinch arm R
12d	24605459	Tension spring	110	24602224A	Pinch arm F
12e	24610988	Selector plate	113	24605454	Spring
12f	24605457	Tension spring	118	24606193	Connector ass'y
12g	24605458	Tension spring	123	260208	Binder
12h	24610945	Tape guide L	125	24610979	Panel ass'y
12i	24610946	Tape guide R	130	24610990	Side panel L
12j	863120	M2, Nut	131	24610991	Side panel R
12k	24611001	Holder, spring	135	24610992	Cassette holder
12l	801292	M2 x 4, Trass tapping screw	136	24610993	Spring, cassette holder
12m	801250	Pan head screw with spring	137	24605470	Spring
12n	24605473	Tension spring	138	24610994	Damper
12o	24604057	Spacer	139	24611005	Canceller lever ass'y
12p	24611002	Holder, lead wire	141	24605471	Spring
12q	24605474	Holdng spring	142	24611006	Cushion
12r	24604058	Collar	145	24606168	Holder ass'y, lamp
12s	82212005	M2 x 5, Flat head screw	145a	24606173	50mA, 14V, Lamp
12t	24611003	1.8 x 3. 8 x 0. 5t, Flat washer	145b	24610498	Lamp holder
22	24601145	Reel motor ass'y	156	891024	CS2. 4, Circlip
26	24603277	Brake lever	157	893030	E3, Circlip
28	24606190	Hall IC pc board ass'y	158	24604055	4 x 6, Spacer
28b	222558	Hall IC	162	24610349	1.8φ x 3.2 x 0.5t, Washer
32	24602233	Supply reel ass'y	163	24610973	2.7φ x 6 x 0.5t, Washer 1
33	24602243	Take-up reel ass'y	164	24610515	2.6φ x 4.7 x 0.25t, Washer
42	24603278A	Switch lever	165	24610972	2.6φ x 7 x 0.13t, Washer 1
44	24605480	Tension spring	166	24610673	2.5φ x 7 x 0.8t, Washer
47	24611004	Frame, switch lever	167	24610944	4.1φ x 5.8 x 0.1t, Washer
50	24603276	Slide lever	168	24611007	2.1φ x 4 x 0.13t, Washer
53	24606185	L.E.D pc board ass'y	169	24611008	5.5φ x 10 x 0.3t, Washer
57	24602220	Cam	171	833125059	M2.5 x 5, Pan head screw
60	24603273	Selector lever	172	833125089	M2.5 x 8, Pan head screw
63	24606192	Detection switch pc board ass'y	173	833125149	M2.5 x 14, Pan head screw
63c	25035389 or 25035275	Tact switch	174	833125069	M2.5 x 6, Pan head screw
70	24602221	Rotary gear ass'y	175	801250	M2 x 4, Pan head screw
75a	24601153	Holding plate	176	82112614	M2.6 x 14, Pan head screw
75b	24601156	Motor ass'y	177	801303	Special screw
75e	82112003	M2 x 3, Pan head screw	178	833126105	M2.6 x 10, Tapping screw
75f	833125059	M2. 5 x 5, Pan head screw	179	833126055	M2.6 x 5, Tapping screw
80	24606166	Leaf switch	180	833426055	M2.6 x 5, Tapping screw
85	24605436	Thrust spring	184	24610943	3φ, Steel ball

TAPE MECHANISM-EXPLODED VIEW (T-1)



TA-RW11 TA-RW11

TAPE MECHANISM-EXPLODED VIEW (T-2)

A B C D E F G

This diagram shows an exploded view of a tape mechanism, with parts organized into five main sections labeled 1 through 5. The parts are numbered and grouped into sub-assemblies:

- Section 1:** Includes parts 136, 141, 171, 137, 131, 135, 142, 125, 180, 181, 182, 183, 184, 185, 186, 187, 188, 189, 190, 191, 192, 193, 194, 195, 196, 197, 198, 199, 200, 201, 202, 203, 204, 205, 206, 207, 208, 209, 210, 211, 212, 213, 214, 215, 216, 217, 218, 219, 220, 221, 222, 223, 224, 225, 226, 227, 228, 229, 230, 231, 232, 233, 234, 235, 236, 237, 238, 239, 240, 241, 242, 243, 244, 245, 246, 247, 248, 249, 250, 251, 252, 253, 254, 255, 256, 257, 258, 259, 260, 261, 262, 263, 264, 265, 266, 267, 268, 269, 270, 271, 272, 273, 274, 275, 276, 277, 278, 279, 280, 281, 282, 283, 284, 285, 286, 287, 288, 289, 290, 291, 292, 293, 294, 295, 296, 297, 298, 299, 300, 301, 302, 303, 304, 305, 306, 307, 308, 309, 310, 311, 312, 313, 314, 315, 316, 317, 318, 319, 320, 321, 322, 323, 324, 325, 326, 327, 328, 329, 330, 331, 332, 333, 334, 335, 336, 337, 338, 339, 340, 341, 342, 343, 344, 345, 346, 347, 348, 349, 350, 351, 352, 353, 354, 355, 356, 357, 358, 359, 360, 361, 362, 363, 364, 365, 366, 367, 368, 369, 370, 371, 372, 373, 374, 375, 376, 377, 378, 379, 380, 381, 382, 383, 384, 385, 386, 387, 388, 389, 390, 391, 392, 393, 394, 395, 396, 397, 398, 399, 400, 401, 402, 403, 404, 405, 406, 407, 408, 409, 410, 411, 412, 413, 414, 415, 416, 417, 418, 419, 420, 421, 422, 423, 424, 425, 426, 427, 428, 429, 430, 431, 432, 433, 434, 435, 436, 437, 438, 439, 440, 441, 442, 443, 444, 445, 446, 447, 448, 449, 450, 451, 452, 453, 454, 455, 456, 457, 458, 459, 460, 461, 462, 463, 464, 465, 466, 467, 468, 469, 470, 471, 472, 473, 474, 475, 476, 477, 478, 479, 480, 481, 482, 483, 484, 485, 486, 487, 488, 489, 490, 491, 492, 493, 494, 495, 496, 497, 498, 499, 500, 501, 502, 503, 504, 505, 506, 507, 508, 509, 510, 511, 512, 513, 514, 515, 516, 517, 518, 519, 520, 521, 522, 523, 524, 525, 526, 527, 528, 529, 530, 531, 532, 533, 534, 535, 536, 537, 538, 539, 540, 541, 542, 543, 544, 545, 546, 547, 548, 549, 550, 551, 552, 553, 554, 555, 556, 557, 558, 559, 560, 561, 562, 563, 564, 565, 566, 567, 568, 569, 570, 571, 572, 573, 574, 575, 576, 577, 578, 579, 580, 581, 582, 583, 584, 585, 586, 587, 588, 589, 590, 591, 592, 593, 594, 595, 596, 597, 598, 599, 600, 601, 602, 603, 604, 605, 606, 607, 608, 609, 610, 611, 612, 613, 614, 615, 616, 617, 618, 619, 620, 621, 622, 623, 624, 625, 626, 627, 628, 629, 630, 631, 632, 633, 634, 635, 636, 637, 638, 639, 640, 641, 642, 643, 644, 645, 646, 647, 648, 649, 650, 651, 652, 653, 654, 655, 656, 657, 658, 659, 660, 661, 662, 663, 664, 665, 666, 667, 668, 669, 670, 671, 672, 673, 674, 675, 676, 677, 678, 679, 680, 681, 682, 683, 684, 685, 686, 687, 688, 689, 690, 691, 692, 693, 694, 695, 696, 697, 698, 699, 700, 701, 702, 703, 704, 705, 706, 707, 708, 709, 710, 711, 712, 713, 714, 715, 716, 717, 718, 719, 720, 721, 722, 723, 724, 725, 726, 727, 728, 729, 730, 731, 732, 733, 734, 735, 736, 737, 738, 739, 740, 741, 742, 743, 744, 745, 746, 747, 748, 749, 750, 751, 752, 753, 754, 755, 756, 757, 758, 759, 760, 761, 762, 763, 764, 765, 766, 767, 768, 769, 770, 771, 772, 773, 774, 775, 776, 777, 778, 779, 780, 781, 782, 783, 784, 785, 786, 787, 788, 789, 790, 791, 792, 793, 794, 795, 796, 797, 798, 799, 800, 801, 802, 803, 804, 805, 806, 807, 808, 809, 810, 811, 812, 813, 814, 815, 816, 817, 818, 819, 820, 821, 822, 823, 824, 825, 826, 827, 828, 829, 830, 831, 832, 833, 834, 835, 836, 837, 838, 839, 840, 841, 842, 843, 844, 845, 846, 847, 848, 849, 850, 851, 852, 853, 854, 855, 856, 857, 858, 859, 860, 861, 862, 863, 864, 865, 866, 867, 868, 869, 870, 871, 872, 873, 874, 875, 876, 877, 878, 879, 880, 881, 882, 883, 884, 885, 886, 887, 888, 889, 890, 891, 892, 893, 894, 895, 896, 897, 898, 899, 900, 901, 902, 903, 904, 905, 906, 907, 908, 909, 910, 911, 912, 913, 914, 915, 916, 917, 918, 919, 920, 921, 922, 923, 924, 925, 926, 927, 928, 929, 930, 931, 932, 933, 934, 935, 936, 937, 938, 939, 940, 941, 942, 943, 944, 945, 946, 947, 948, 949, 950, 951, 952, 953, 954, 955, 956, 957, 958, 959, 960, 961, 962, 963, 964, 965, 966, 967, 968, 969, 970, 971, 972, 973, 974, 975, 976, 977, 978, 979, 980, 981, 982, 983, 984, 985, 986, 987, 988, 989, 990, 991, 992, 993, 994, 995, 996, 997, 998, 999, 1000.

-16-

-15-

TAPE MECHANISM-PARTS LIST (NDM-48 T-2)

REF. NO.	PARTS NO.	DESCRIPTION	REF. NO.	PARTS NO.	DESCRIPTION
1	24610983	Chassis	81	24606188	Leaf switch
1a	24605468	Cassette holding spring	85	24605436	Thrust spring
2	24605481	Tension spring	88	24602250	Flywheel
6	24610984	Brake plate ass'y	91	24602222	Flat belt
6a	24610961	Brake plate	94a	24610996	Motor bracket
6b	24610999	Brake rubber	94b	24601139	Motor ass'y
7	24605466	Tension spring, back tension	94c	24610451	Cushion
8	24605472	Tension spring, brake	94d	24610807	Spacer
9	24605482	Tension spring	94e	801301	Pan head screw
12	24610986	Head base ass'y	94f	8233125059	M2.5 x 5, Pan head screw
12a	24610987	Head base	94g	24606189	pc board ass'y
12b	24600043	Head ass'y	99	24610936	Guide
12c	24610947	Wheel	102	24610989	Holding plate, head
12d	24605459	Tension spring	105	24602223A	Pinch arm R
12e	24610988	Selector plate	110	24602224A	Pinch arm F
12f	24605457	Tension spring	113	24605454	Spring
12g	24605458	Tension spring	118	24606193	Connector ass'y
12h	24610945	Tape guide L	123	260208	Binder
12i	24610946	Tape guide R	125	24610979	Panel ass'y
12j	863120	M2, Nut	130	24610990	Side panel L
12k	24611001	Holder, spring	131	24610991	Side panel R
12l	801292	M2 x 4, Trass tapping screw	135	24610992	Cassette holder
12m	801250	Pan head screw with spring	136	24610993	Spring, cassette holder
12n	24605473	Tension spring	137	24605470	Spring
12o	24604057	Spacer	138	24610994	Damper
12p	24611002	Holder, lead wire	139	24611005	Canceller lever ass'y
12q	24605474	Holdng spring	141	24605471	Spring
12r	24604058	Collar	142	24611006	Cushion
12s	82212005	M2 x 5, Flat head screw	145	24606168	Holder ass'y, lamp
12t	24611003	1.8 x 3.8 x 0.5t, Flat washer	145a	24606173	50mA, 14V, Lamp
22	24601145	Reel motor ass'y	145b	24610498	Lamp holder
26	24603277	Brake lever	149	24602239	Belt
28	24606190	Hall IC pc board ass'y	156	891024	CS2.4, Circlip
28b	222558	Hall IC	157	893030	E3, Circlip
32	24602233	Supply reel ass'y	158	24604055	4 x 6, Spacer
33	24602243	Take-up reel ass'y	162	24610349	1.8 ϕ x 3.2 x 0.5t, Washer
42	24603278A	Switch lever	163	24610973	2.7 ϕ x 6 x 0.5t, Washer 1
43	24603275A	Switch lever, metal	164	24610515	2.6 ϕ x 4.7 x 0.25t, Washer
44	24605480	Tension spring	165	24610972	2.6 ϕ x 7 x 0.13t, Washer 1
45	24603271	Recording lever ass'y	166	24610673	2.5 ϕ x 7 x 0.8t, Washer
46	24605476	Spring	167	24610944	4.1 ϕ x 5.8 x 0.1t, Washer
47	24611004	Frame, switch lever	168	24611007	2.1 ϕ x 4 x 0.13t, Washer
50	24603276	Slide lever	169	24611008	5.5 ϕ x 10 x 0.3t, Washer
53	24606185	L.E.D. pc board ass'y	171	833125059	M2.5 x 5, Pan head screw
57	24602220	Cam	172	833125089	M2.5 x 8, Pan head screw
60	24603273	Selector lever	173	833125149	M2.5 x 14, Pan head screw
63	24606186	Detection switch pc board ass'y	174	833125069	M2.5 x 6, Pan head screw
63c	25035389 or 25035275	Tact switch	175	801250	M2 x 4, Pan head screw
70	24602221	Rotary gear ass'y	176	82112614	M2.6 x 14, Pan head screw
75a	24601153	Holding plate	177	801303	Special screw
75b	24601156	Motor ass'y	178	833126105	M2.6 x 10, Tapping screw
75e	82112003	M2 x 3, Pan head screw	179	833126055	M2.6 x 5, Tapping screw
75f	833125059	M2.5 x 5, Pan head screw	180	833426055	M2.6 x 5, Tapping screw
80	24606166	Leaf switch	184	24610943	3 , Steel ball

PRINTED CIRCUIT BOARD PARTS LIST

Rec./pb. amplifier pc board (NAAF-1822d)

CIRCUIT NO.	PARTS NO.	DESCRIPTION	CIRCUIT NO.	PARTS NO.	DESCRIPTION
	ICs		L403, L404	24606080 or 231038	NCH1022 or NCH2078
Q121, Q207	222736	NJM4558S	L405, L406	24606076 or 231037	NCH1014 or NCH2077
Q203, Q204	222729	HA12058NT	L407, L408	233186	NCH3032
Q301, Q302	222623	IR2E02	L409, L410	231025	NCH10664
Q303	222652	M5218L	Z001	Osc. block 246066183	NBO-026
Q401	222808 or 222465	M5218P or NJM4558D	C103, C104	392880337	3.3 μ F, 50V, LL
Q501	222681 or 222695	IR3702 or LA6324	C109, C110	352741009	10 μ F, 16V, Elect.
Q905	222780050	7805	C113, C114	357241009	10 μ F, 16V, Elect.
Q101-Q108	Transistors 2211896, 2212256 or 2211406	2SC1815 (LL), 2SC2458 (LL) or 2SC2240 (BL)	C133, C134	392880337	3.3 μ F, 50V, LL
Q109-Q112	2211255,	2SC1815 (GR),	C139, C140	352741009	10 μ F, 16V, Elect.
Q403-Q414	2211256,	2SC1815 (BL),	C143, C144	352741009	10 μ F, 16V, Elect.
Q422, Q423	2210746, 2212115 or 2212485	2SC945A (P), 2SC2458 (GR) or JC501 (Q)	C151-C154	352750479	4.7 μ F, 25V, Elect.
Q123-Q128	2212302, 2212303 or 2212304	2SK381 (B), 2SK381 (C) or 2SK381 (D)	C201, C202	352741009	10 μ F, 16V, Elect.
Q129, Q130	2211455, 2212125 or 2212495	2SA1015 (GR), 2SA1048 (GR) or JA101 (Q)	C203, C204	352780109	1 μ F, 50V, Elect.
Q205, Q206	2211706	2SD655 (F)	C205, C206	352741009	10 μ F, 16V, Elect.
Q415	2201060	2SD549	C207, C208	352732219	220 μ F, 10V, Elect.
Q416 Q419	2211454,	2SA1015 (Y),	C213, C214	392850477	4.7 μ F, 25V, LL
Q420, Q502	2212124 or 2212494	2SA1048 (Y) or JA101 (Q)	C217, C218	352783399	0.33 μ F, 50V, Elect.
Q604	2212494	JA101 (Q)	C219, C220	352781599	0.15 μ F, 50V, Elect.
Q417, Q418	2211254	2SC1815 (Y),	C221, C222	352784799	0.47 μ F, 50V, Elect.
Q421, Q605	2211253 or 2212484	2SC1815 (O) or JC501 (P)	C223, C224	352786899	0.68 μ F, 50V, Elect.
Q601-Q603	Diodes 223105, 223133 or 223145	1S1555, DS442X or 1S2076TD	C225, C226	352732209	22 μ F, 10V, Elect.
D101-D105	2239673, 2239691, 2241152 or 2241153	RD15EB3, RD16EB1, GZA15Y or GZA15Z	C237, C238	392850477	4.7 μ F, 25V, LL
D401, D501	223155	1SS138	C241, C242	352781599	0.15 μ F, 50V, Elect.
D404-D408	2239652, 2239653, 2241131, 2241132, 2242902, 2242911, 2243242 or 2243243	RD13EB2, RD13EB3, GZA13X, GZA13Y, EQA01-12B, EQA02-13A, MTZ-13B or MTZ-13C	C243, C244	352784799	0.4 μ F, 50V, Elect.
D402, D403	223132	1K60	C245, C246	352750479	4.7 μ F, 25V, Elect.
D600	223105,	1S1555,	C301, C302	352741009	10 μ F, 16V, Elect.
D601, D602	2239652, 2239653, 2241131, 2241132, 2242902, 2242911, 2243242 or 2243243	RD13EB2, RD13EB3, GZA13X, GZA13Y, EQA01-12B, EQA02-13A, MTZ-13B or MTZ-13C	C303, C304	352780109	1 μ F, 50V, Elect.
D603	223132	1K60	C305, C306	352750479	4.7 μ F, 25V, Elect.
D604	223105, 223133 or 223145	1S1555, DS442X or 1S2076TD	C401, C402	352741009	10 μ F, 16V, Elect.
D605	2239493 or 2240972	RD6.2EB3 or GZA6.2Y	C403, C404	352782299	0.22 μ F, 50V, Elect.
D901	223868	2W02	C417, C418	352750479	4.7 μ F, 25V, Elect.
D902	223862	WL01	C423	352750479	4.7 μ F, 25V, Elect.
D905	223842	GP15B	C424	352732219	220 μ F, 10V, Elect.
L201, L202	233306	NMC-6043	C426, C427	352780109	1 μ F, 50V, Elect.
L203, L204	233245	NMC2029	C429	352750479	4.7 μ F, 25V, Elect.
L401, L402	24606072 or 231040	NCH1010 or NCH2080	C507	352741009	10 μ F, 16V, Elect.
			C508, C509	352780109	1 μ F, 50V, Elect.
			C510, C601	352741009	10 μ F, 16V, Elect.
			C602	352780109	1 μ F, 50V, Elect.
			C902	352752229	2,200 μ F, 25V, Elect.
			C903, C904	352751029	1,000 μ F, 25V, Elect.
			C910, C911	352744709	47 μ F, 16V, Elect.
			C913	3504168	13,000 μ F, 25V Elect.
			C914	352783399	0.3 μ F, 50V, Elect.
			C915	352781099	0.1 μ F, 50V, Elect.
			C951, C952	352732219	220 μ F, 10V, Elect.
			C956	352744709	47 μ F, 16V, Elect.
			C957, C958	352741019	100 μ F, 16V, Elect.
			Resistors		
			R123-R126	5215046 or	N08HR50KBC,
			R157, R158	5215023	Semi-fixed
			R401, R402	5215044 or	N08HR5KBC,
				5215020	Semi-fixed
			R441, R442	5215047 or	N08HR100KBC,
			R443, R444	5215024	Semi-fixed
			R445	441521004	10 Ω , 1/2W, Metal oxide film
			R901	441524794	0.47 Ω , 1/2W, Metal oxide film
			R908	441722704	27 Ω , 2W, Metal oxide film
			R958	442525604	56 Ω , 1/2W, Metal oxide film

CIRCUIT NO.	PARTS NO.	DESCRIPTION
	Relaies	
RL401, RL404	25065174	NRL-2P-1A-DC12-09
	Terminal	
P101	25045120	NPJ4PDBL49, Input/Output
	Plugs	
P102	25055037	NPLG-6P-28
P103	25055042	NPLG-3P
P401	25055038	NPLG-2P-29
P601	25055099	NPLG-2P-83
P602	25055100	NPLG-3P-84
P703	25055102	NPLG-5P-86
P705	25055101	NPLG-4P-85
	Sockets	
P701A	2000261A	NSAS-10P-199
P702A	2000264A	NSAS-8P-202
P704A	2000263A	NSAS-8P-201
	Radiator	
	27160029-1	RAD-07B
	Screw	
	82143006	3P+6F (BC), Pan head screw

Power supply pc board (NAPS—1823)

CIRCUIT NO.	PARTS NO.	DESCRIPTION
	IC	
Q902	222780120	7812
	Transistors	
Q901	2201340 or 2201350	2SD1128 or 2SD687
Q903	2211454, 2212125 or 2212495	2SA1015 (GR), 2SA1048 (GR) or JA101 (Q)
Q904	2201275 or 2201276	2SB772 (Q) or 2SB772 (P)
	Diodes	
D903	2239653 or 2241132	RD13EB3 or GZA13Y
D904	223105, 223133 or 223145	1S1555, DS442X or 1S2076TD
	Capacitors	
C905	352742219	220 μ F, 16V, Elect.
C906	352744709	47 μ F, 16V, Elect.
C907	352783399	0.33 μ F, 50V, Elect.
C908, C909	352781099	0.1 μ F, 50V, Elect.
	Resistors	
R903, R904	441520224	2.2 Ω , 1/2W, Metal oxide film
	Radiator	
	27160075A	
	Screws	
	831430088	3TTW+8B (BC), Tapping
	82143010	3P+10F (BC), Pan head screw
	Spacers	
	223019	Transistor
	Bush	
	223017	AC-310
	Nuts	
	863430	N-3F-N (BC)

Dolby switch circuit pc board (NASW—1824)

CIRCUIT NO.	PARTS NO.	DESCRIPTION
S601	25030231	NRS-123-25SBM, Rotary switch, Dolby

Power switch pc board (NASW—1825b)

CIRCUIT NO.	PARTS NO.	DESCRIPTION
C901	3500065A	0.01 μ F, AC120/240V, Capacitor IS
S901	25035375	NPS-111-L339P, Power switch
C901a	27300601	Cover, capacitor
	27140823	Bracket, power
	82143006	3P+6FN (BC), Pan head screw
	28320135	Connector

Headphone terminal pc board (NAHP—1826a/b)

CIRCUIT NO.	PARTS NO.	DESCRIPTION
P301	25045149	HLJ0521-01-020, Headphone terminal (S)
	25045148	HLJ0521-01-010, Headphone terminal (B)

Meter LED pc board (NADIS—1827)

CIRCUIT NO.	PARTS NO.	DESCRIPTION
D301, D302	225071	GL-107M12, LED arry

Input volume pc board (NAVR—1828a)

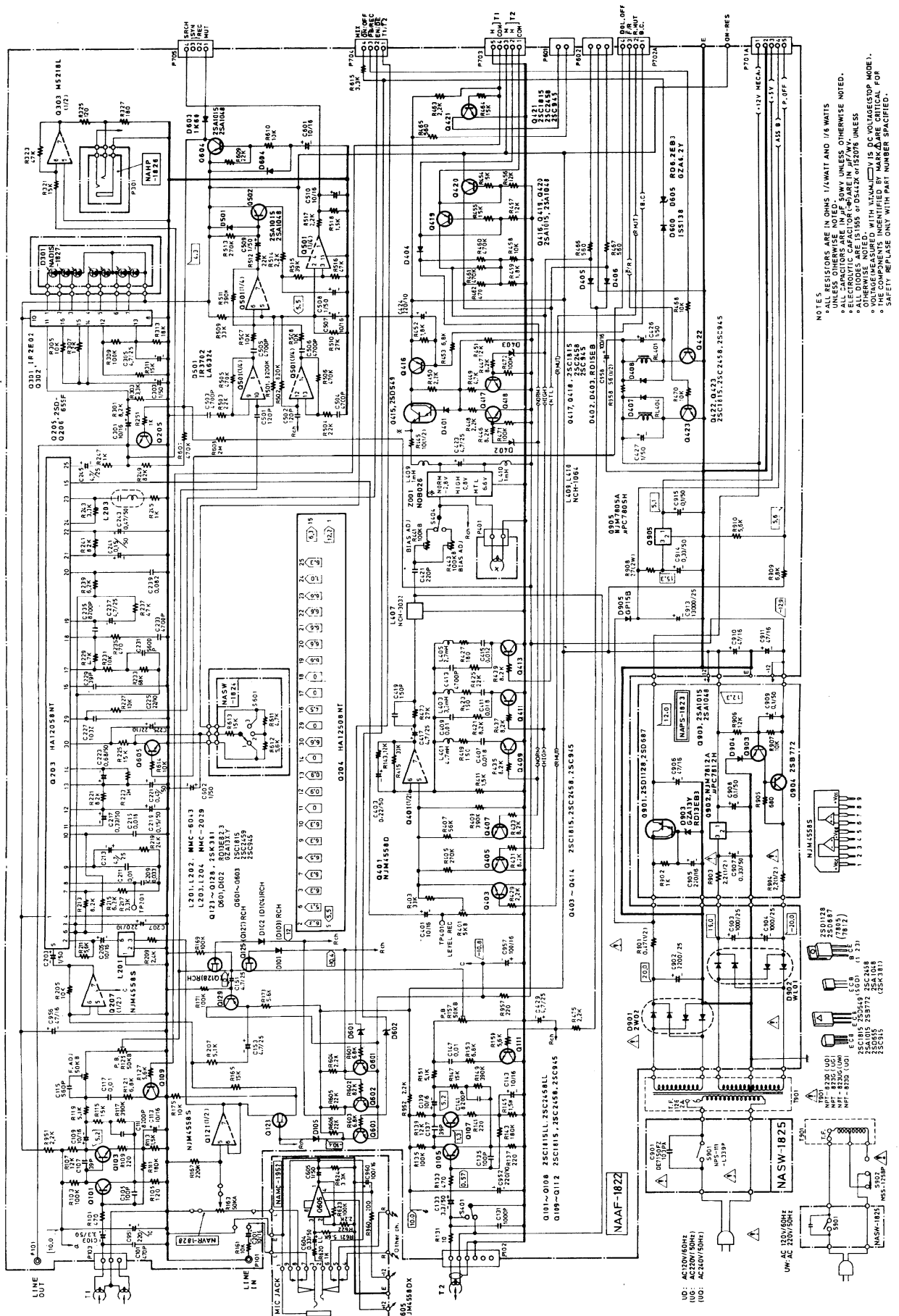
CIRCUIT NO.	PARTS NO.	DESCRIPTION
R163, R164	6142023	N45LL50KA10Z, Slide variable resistor

Control circuit pc board (NACOC—1830d)

CIRCUIT NO.	PARTS NO.	DESCRIPTION
	ICs	
Q729, Q730	222808 or 222465	M5218P or NJM4558D
Q731	222764	LM6405A-331
Q732	222765	LM6402A-354
	Transistors	
Q701	2201074 or 2201385	2SD880 (Y) or 2SD330 (F)
Q702, Q703	2211563	2SB562 (C)
Q704, Q705	2211254, 2212114, 2210747 or 2212484	2SC1815 (Y), 2SC2458 (Y), 2SC945A (P) or JC501 (P)
Q706, Q707	2211682 or 2211683	2SD468 (B) or 2SD468 (C)
Q709	2201060	2SD549
Q710, Q711	2211554	2SA562TM (Y)
Q712—Q714	2211706	2SD655 (F)
Q715	2201074 or 2201385	2SD880 (Y) or 2SD330 (E)
Q716, Q717	2211563	2SB562 (C)
Q718, Q719	2211254, 2212114, 2210747 or 2212484	2SB1815 (Y), 2SC2458 (Y), 2SC945A (P) or JC501 (P)
Q720, Q721	2211682 2211683	2SD468 (B) or 2SD468 (C)
Q723	2201060	2SD549
Q724, Q725	2211554	2SA562TM (Y)
Q726—Q728	2211706	2SD655 (F)
Q733—Q736	2211255,	2SC1815 (GR),

SCHEMATIC DIAGRAM-AMPLIFIER SECTION

A B C D E F G

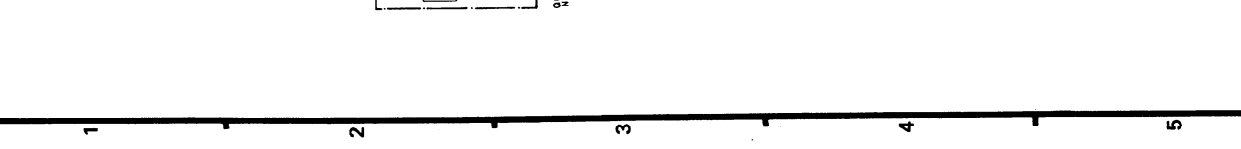


NOTES

- RESISTORS ARE IN OHMS UNLESS OTHERWISE NOTED.
- ALL CAPACITORS ARE IN P.F. UNLESS OTHERWISE NOTED.
- ALL DIODES ARE IN P.F. UNLESS OTHERWISE NOTED.
- OTHERWISE NOTED.
- COMPONENTS IDENTIFIED BY MARK ARE CRITICAL FOR SAFETY. REPLACE ONLY WITH PART NUMBER SPECIFIED.

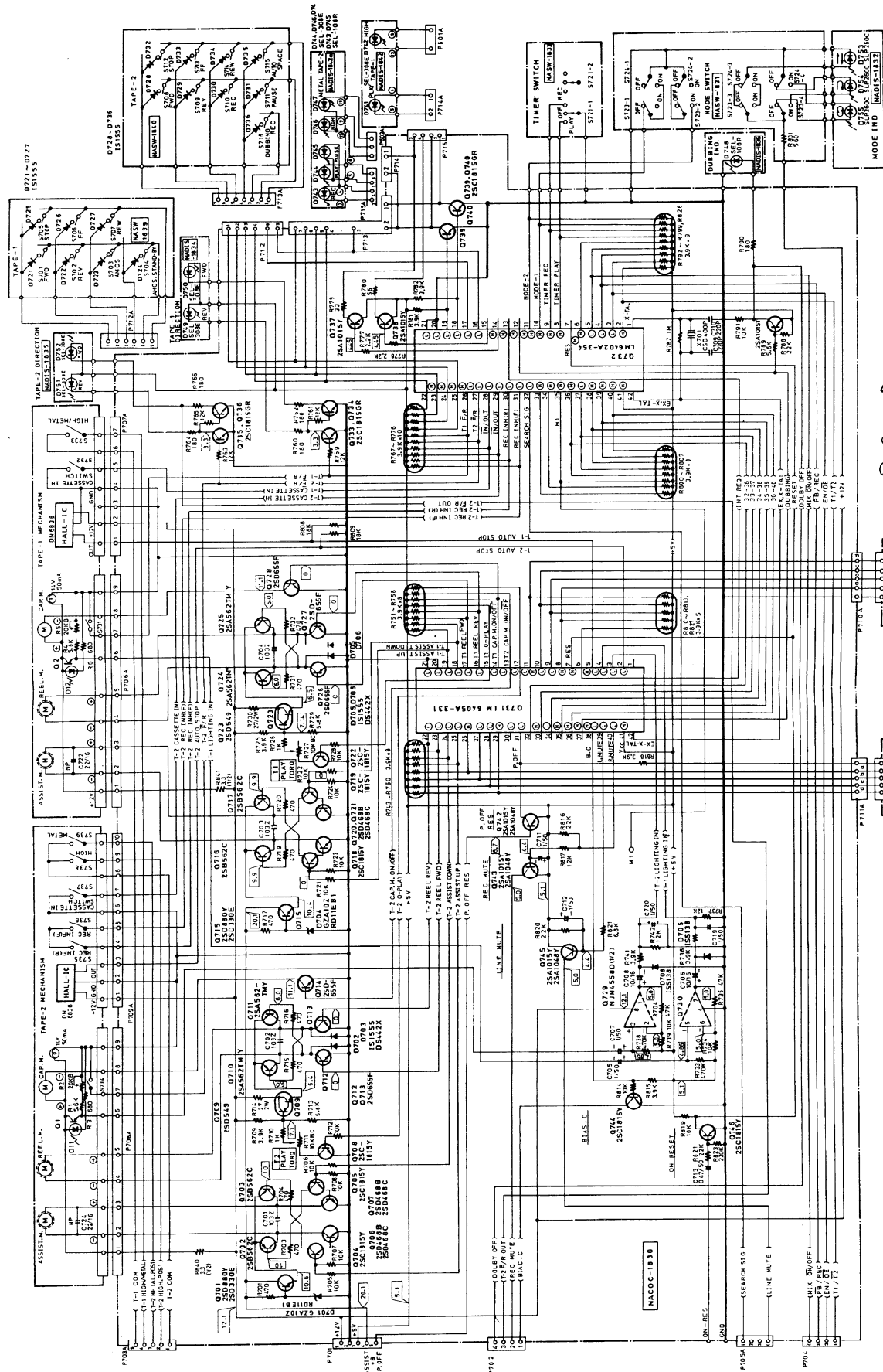
UD: AC120V/60HZ
 (UD: AC220V/50HZ)
 (UD: AC240V/50HZ)

UW: AC 120V/60HZ
 (UW: AC 220V/50HZ)



SCHEMATIC DIAGRAM-CONTROL SECTION

A B C D E F G



1

2

3

4

5

PRINTED CIRCUIT BOARD PARTS LIST

(NACOC—1830d)

CIRCUIT NO.	PARTS NO.	DESCRIPTION
Q739, Q740	2212115, 2210746 or 2212485	2SC2458 (GR), 2SC945A (P) or JC501 (Q)
Q737, Q738 Q741—Q743 Q745 Q744, Q746	2211454, 2212124 or 2212494 2211254, 2212114, 2210747 or 2212124	2SA1015 (Y), 2SA1048 (Y) or JA101 (P) 2SC1815 (Y), 2SC2458 (Y), 2SC945A (Q1) or JC501 (P)
Diodes		
D701, D704	2241073 or 2239611	GZA10Z or RD11EB1
D702, D703 D705, D706	223145, 223105 or 223133	1S2076TD, 1S1555 or DS442X
D707, D708	223105	1SS138
Ceramic oscillator		
X701	3010078	CSB400P
Capacitors		
C705, C707 C706, C708 C711, C712 C713 C719, C720	352780109 352741009 352780109 352784799 352780109	1 μ F, 50V, Elect. 10 μ F, 16V, Elect. 1 μ F, 50V, Elect. 0.47 μ F, 50V, Elect. 1 μ F, 50V, Elect.
Resistors		
R711, R727	5215045 or 5215021	N08HR10KBC, Semi-fixed
R714, R730 R743—R750 R751—R758 R767—R776 R792—R799 R800—R807 R810—R813	441722704 49421392408 49421392408 49421392410 49121392409 49121392408 49121392405	27 Ω , 2W, Metal oxide film 3.9k Ω x 8, 1/8W, Network 3.9k Ω x 8, 1/8W, Network 3.9k Ω x 10, 1/8W, Network 3.9k Ω x 9, 1/8W, Network 3.9k Ω x 8, 1/8W, Network 3.9k Ω x 5, 1/8W, Network
Sockets		
P703A P705A P706A P707A P708A P709A P710A P711A	2000262A 2000264A 2000265A 2000266A 2000268A 2000267A 2000228A 2000261B	NSAS-10P-200 NSAS-8P-202 NSAS-18P-203 NSAS-14P-204 NSAS-18P-206 NSAS-20P-205 NSAS-10P-132 NSAS-10P-199
Plugs		
P701 P702, P704, P715 P712 P713 P714	25055102 25055101 25055103 25055104 25055099	NPLG-5P-86 NPLG-4P-85 NPLG-6P-87 NPLG-7P-88 NPLG-2P-83

Mode switch pc board (NASW—1831)

CIRCUIT NO.	PARTS NO.	DESCRIPTION
S722-S724	25035409 27140822 82143006	NPS-242-100-L373, Push switch Bracket, switch 3P+6FN (BC), Pan head screw

Mode indicator pc board (NADIS—1832)

CIRCUIT NO.	PARTS NO.	DESCRIPTION
D753—D755	225093 27270103	SLP-260C, LED Spacer

Timer switch pc board (NASW—1833)

CIRCUIT NO.	PARTS NO.	DESCRIPTION
S721	25030231	NRS-123-25SBM, Rotary switch, timer

Direction indicator pc boards (NADIS—1834/1835)

CIRCUIT NO.	PARTS NO.	DESCRIPTION
D749—D752	225150	SEL308E, LED

Dubbing indicator pc board (NADIS—1836)

CIRCUIT NO.	PARTS NO.	DESCRIPTION
D748	225149 27190239	SEL108R, LED Holder, LED

Tact switch pc boards (NASW—1839/1840)

CIRCUIT NO.	PARTS NO.	DESCRIPTION
Diodes		
D721—D727 D728—D736	223145, 223105 or 223133	1S2076TD, 1S1555 or DS442X
Switches		
S701—S707 S708—S716	25035389 or 25035275	NPS-111-S353 or NPS-111-S239
Sockets		
P712A, P713A	2000259	NSAS-6P-197

High speed Indicator pc board (NADIS—1842)

CIRCUIT NO.	PARTS NO.	DESCRIPTION
D741, D742 P601A P714A	225150 2000272 2000271	SEL-308E, LED NSAS-2P-210, Socket NSAS-2P-209, Socket

Indicator pc board (NADIS—1842a)

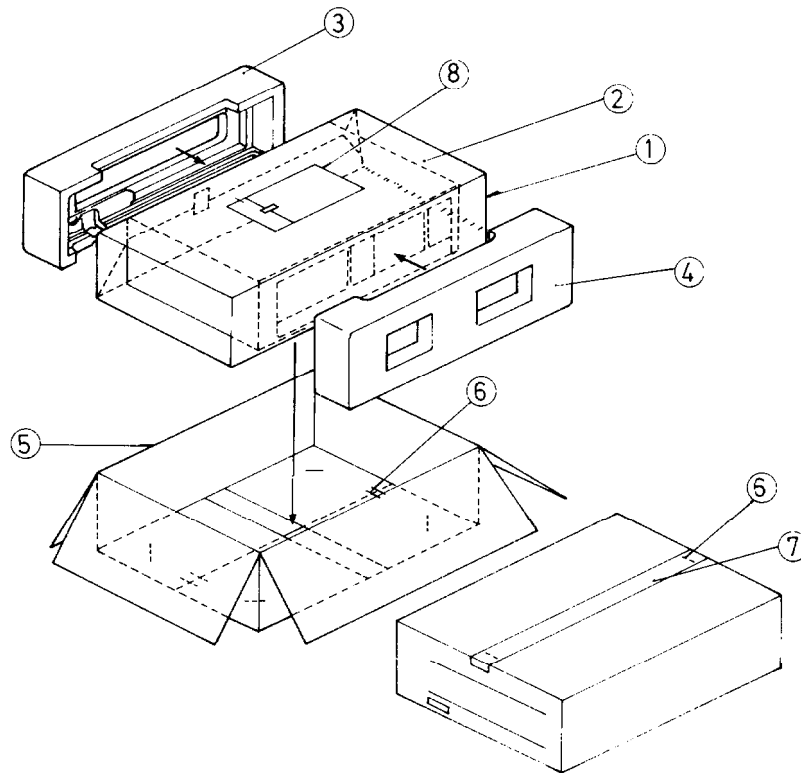
CIRCUIT NO.	PARTS NO.	DESCRIPTION
D743, D745 D744, D746 D747 P602A P715A	225149 225150 225150 2000273 2000274	SEL108R, LED SEL308E, LED SEL308E, LED NSAS-3P-211, Socket NSAS-4P-212, Socket

Mic. terminal pc board (NAMC—1952b/c)

CIRCUIT NO.	PARTS NO.	DESCRIPTION
IC		
Q605	222502, 222534 or 222811	NJM4558DX, NJM4559DX or NJM4558DD
Capacitors		
C604 C605 C960	392883397 352780109 352741019	0.33 μ F, 50V, LL 1 μ F, 50V, Elect. 100 μ F, 16V, Elect.
Mic. terminal		
P604	25045147 25045146	HLJ4308-01-3012 (S) HLJ4308-01-3010 (B)

NOTE: S : Silver model B : Black model

PACKING VIEW



D model

REF. NO.	PARTS NO.	DESCRIPTION
1	29100038A	720x950 Poly bag
2	29095019-1	650x800 Protection sheet (B)
3	29090835A	Pad (R)
4	29090834	Pad (F)
5	29050932	Master carton box
	29050934	Master carton box (B)
6	282301	Sealing hook
7	260012	Dampen tape
8	Accessory bag ass'y	
	29340768	Instruction manual
	2010095	Connection cable
	29365006-5	Waranty card (N)
	29358002A	Service station list (N)
	29100005	220x330 Poly bag

G/W Model

REF. NO.	PARTS NO.	DESCRIPTION
1	29100038A	720x950 Poly bag
2	29095019-1	650x800 Protection sheet (B)
3	29090835A	Pad (R)
4	29090834	Pad (F)
5	29050932	Master carton box
	29050934	Master carton box (B)
6	282301	Sealing hook
7	260012	Dampen tape
8	Accessory bag ass'y	
	29340769	Instruction manual (W)
	2010095	Connection cable
	25055040	Coverion plugCV-K-2 (W)
	29100005	220x330 poly bag

(N) : Only U.S.A. Model
 (W) : Only 120/220V Model
 (B) : Black Model

ONKYO CORPORATION

International Division: No.24 Mori Bldg., 23-5, 3-chome, Nishi-Shinjyushi, Minato-ku, Tokyo, Japan
 Telex: 2423551 ONKYO J. Phone: 03-432-6981

ONKYO U.S.A. CORPORATION

200 Williams Drive, Ramsey, N.J. 07446 Tel. 201-825-7950

ONKYO DEUTSCHLAND GMBH, ELECTRONICS

8034 Mûchen-Germering, Industriestrasse 18, West Germany. Telex: 521726 Telefon: (089)-84-3071